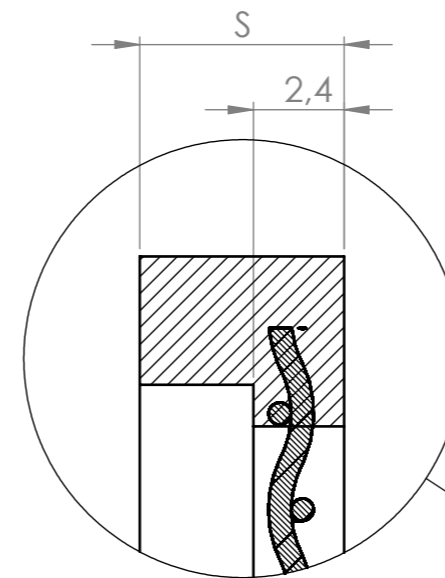
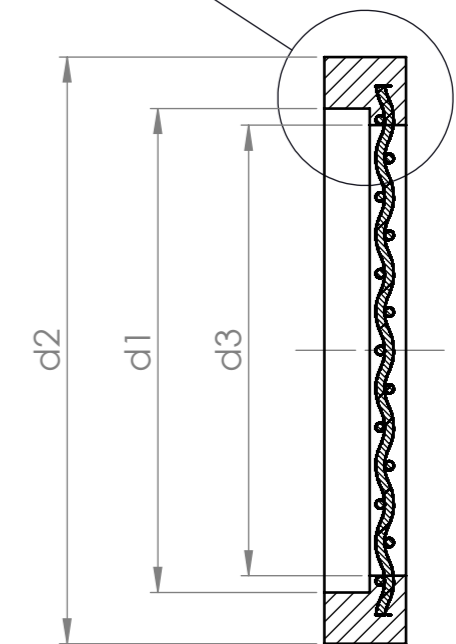
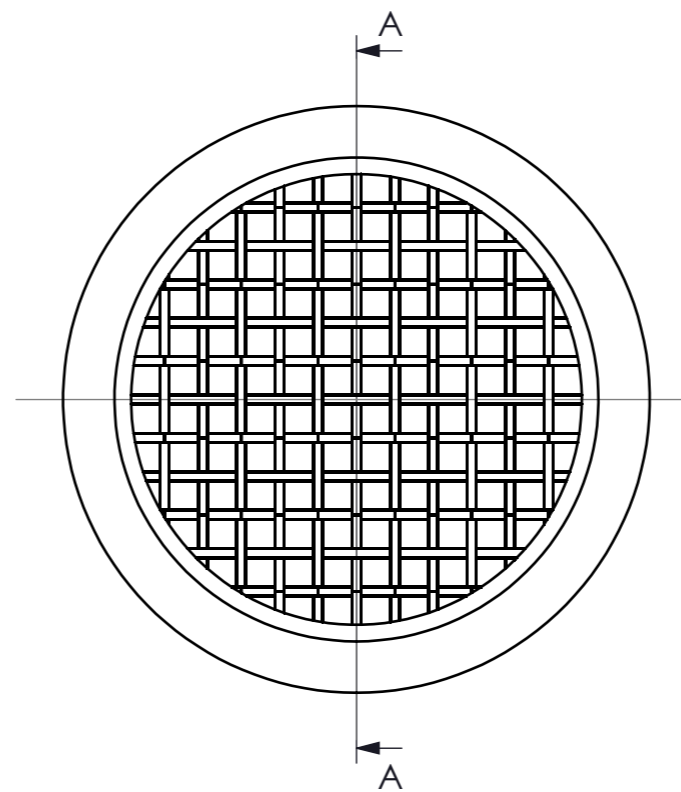
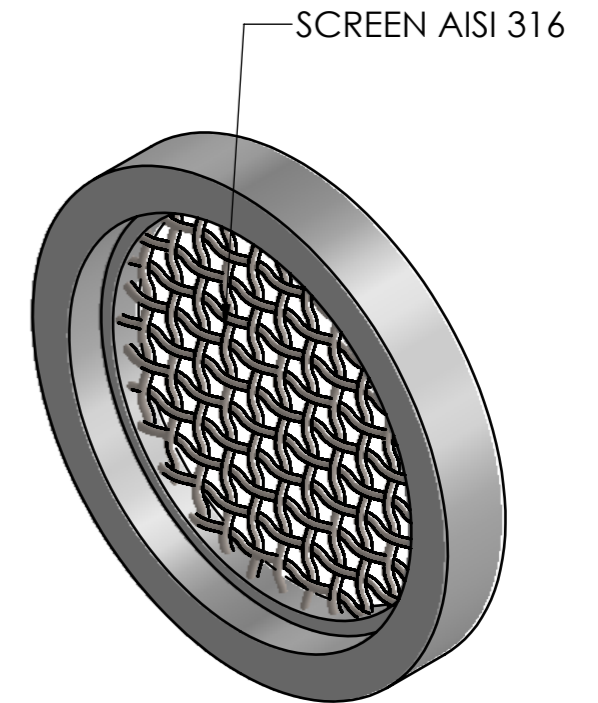


Design Table for: 0209A0001					
SMS 1149	d1	d2	d3	d4	S
DN25	25	31,6	22,6	28	5,4
DN32	32	38,8	29,8	35	5,4
DN38	38	47,5	35,5	42,5	5,6
DN51	51	60,6	48,6	56	5,6
DN63,5	63,5	73	60,6	67	5,6
DN76	76	85,5	73,1	80	5,6
DN104*	104	115	99,8	110	5,6



DETAIL B
SCALE 5 : 1



SECTION A-A

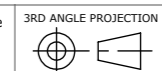
UP Ultrapharma

info@ultrapharma.com 1967 DB Heemskerk T: +31-(0)251-207050
www.ultrapharma.com The Netherlands F: +31-(0)251-207055

CONFIGURATION
see table

DESCRIPTION:
SMS 1149-L ELASTOMER SCREEN

The information contained in this drawing is the sole property of Ultrapharma BV. Any reproduction in part or as a whole without written permission of Ultrapharma BV is prohibited.



UNITS:
mm

SCALE:
2:1

SHEET SIZE
A3