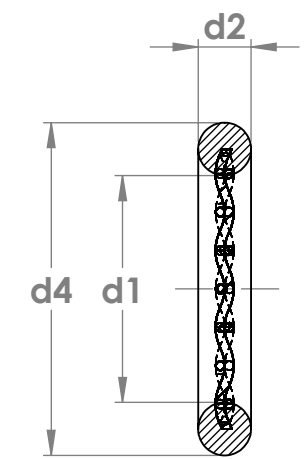
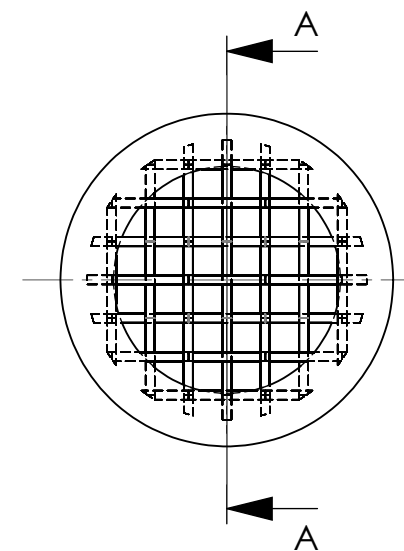
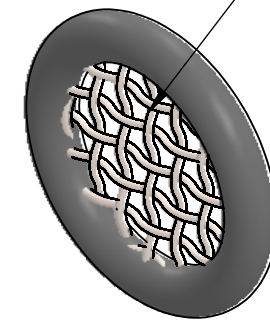


Design Table for: 0208A0002												
DIN 11864	d1	d2	d3	d4	EPDM BLACK	mesh 10	mesh 20	mesh 40	mesh 60	mesh 80	mesh 100	mesh 150
DN08 - ISO	11	3,5	15	18	v						v	
DN10 - ISO	15	3,5	18,5	22								
DN15 - ISO	19	3,5	23	26								
DN20 - ISO	26	3,5	29,3	33	v		v	v			v	
DN25 - ISO	32	5	37,6	42	v	v	v	v				v
DN32 - ISO	40,5	5	45	50,5	v		v	v			v	
DN40 - ISO	46,5	5	50,5	56,5	v			v				v
DN50 - ISO	57,5	5	63	67,5								
DN65 - ISO	72,5	5	78	82,5								
DN80 - ISO	85,5	5	91	95,5								
DN100 - ISO	110	5	115	120								

SCREEN AISI 316
mesh 10/20/40/60/80/100/150



SECTION A-A

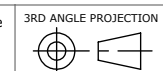
UP Ultrapharma

info@ultrapharma.com 1967 DB Heemskerk T: +31-(0)251-207050
www.ultrapharma.com The Netherlands F: +31-(0)251-207055

CONFIGURATION
see table

DESCRIPTION:
DIN 11864-ISO ELASTOMER SCREEN

The information contained in this drawing is the sole property of Ultrapharma BV. Any reproduction in part or as a whole without written permission of Ultrapharma BV is prohibited.



UNITS:
mm

SCALE:
2:1

SHEETSIZE
A3