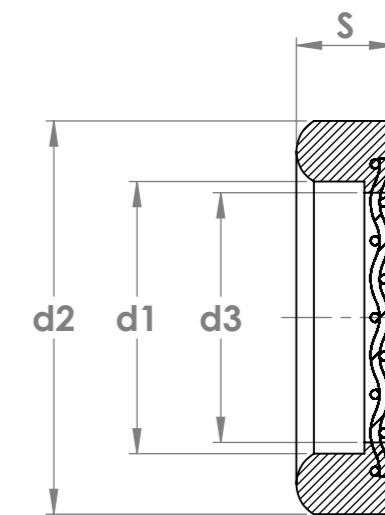
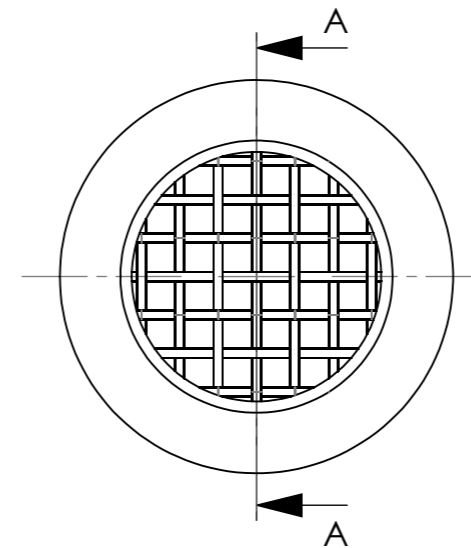
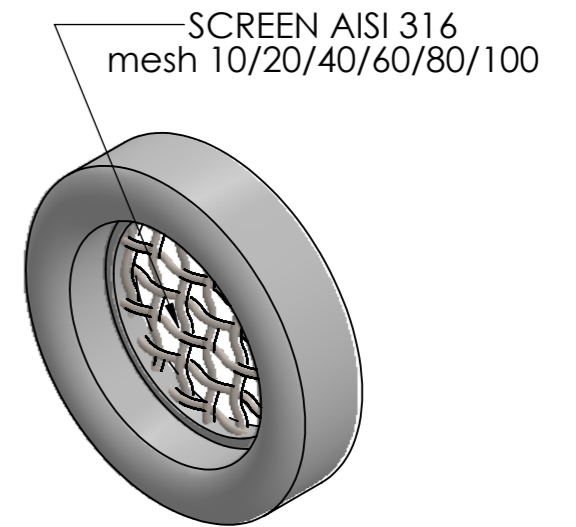


Design Table for: 0207A0001						
DIN 11851	d1	d2	d3	d4	S	R
DN10	12	20	10,5	17	6,5	2,3
DN15	18	26	16,5	21	6,5	2,3
DN20	23	33	20,5	28	6,5	2,5
DN25	30	40	26,5	35	7	2,8
DN32	36	46	32,5	42,5	6	2,8
DN40	42	52	38,5	48	6	2,8
DN50	54	64	50,5	59	7	2,8
DN65	71	81	66,5	77	7	2,8
DN80	85	95	81,5	90	7	2,8
DN100	104	114	100,5	109	8	2,8



SECTION A-A

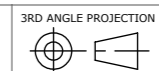
UP Ultrapharma

info@ultrapharma.com 1967 DB Heemskerk T: +31-(0)251-207050
www.ultrapharma.com The Netherlands F: +31-(0)251-207055

CONFIGURATION
see table

DESCRIPTION:
DIN 11851-L ELASTOMER SCREEN

The information contained in this drawing is the sole property of Ultrapharma BV. Any reproduction in part or as a whole without written permission of Ultrapharma BV is prohibited.



UNITS:
mm

SCALE:
2:1

SHEET SIZE
A3