

Article number: 13MHHM-###-U
 Material: ASTM 304SS (EN 1.4301)

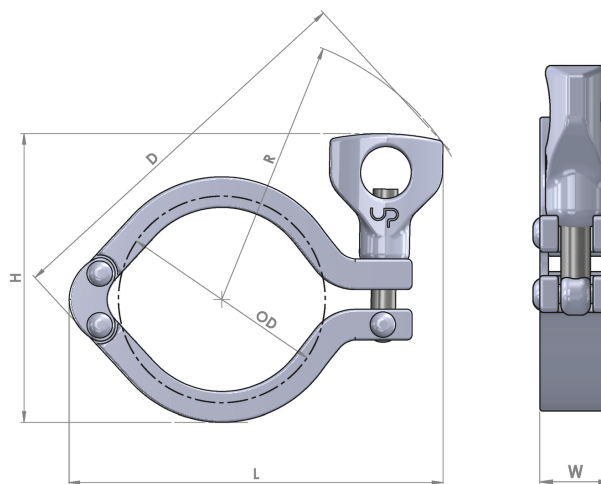
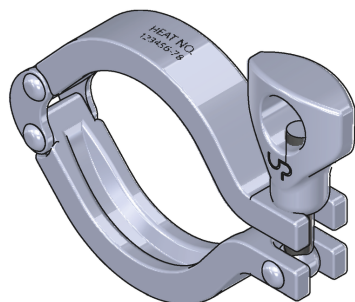


SIZES

Article number	ASME BPE (in inch)	Flange OD (mm)	L (mm)	H (mm)	W (mm)	D (mm)	R (mm)
13MHHM-050/075-U	½" - ¾"	25	75	66	16.8	92	62.5
13MHHM-100/150-U	1" - 1½"	50.5	105	80	18.8	106	79.5
13MHHM-200-U	2"	64	116	85	18.7	120	81
13MHHM-250-U	2½"	77.5	130	100	18.7	140	92
13MHHM-300-U	3"	91	150	102	18.9	150	101
13MHHM-350-U	3½"	106	155	117	19	160	101
13MHHM-400-U	4"	119	178	128	18.8	177	113
13MHHM-450-U	4½"	130	182	145	19	187	113
13MHHM-6625-U	6.625"	183	241	192	22	247	139
13MHHM-800-U	8"	217.4	279	227	25.6	257	159
13MHHM-8625-U	8.625"	233.5	292	242	23.3	284	163
13MHHM-1000-U	10"	268	333	283	25.5	328	185

Good to know:

- all clamps carry their heat numbers
- maximum recommended pressure 25 Bar (375PSI)
- 3.1 certificate available upon request



This information is accurate to the best of our knowledge. We advise the users of our products to perform their own testing for chemical compatibility and suitability for particular applications.

Ultrapharma BV

De Droogmakerij 12 1851 LX Heiloo The Netherlands
www.ultrapharma.com | +31 856 200 900 | info@ultrapharma.com