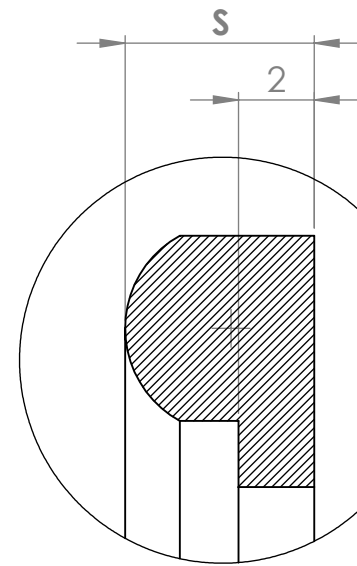
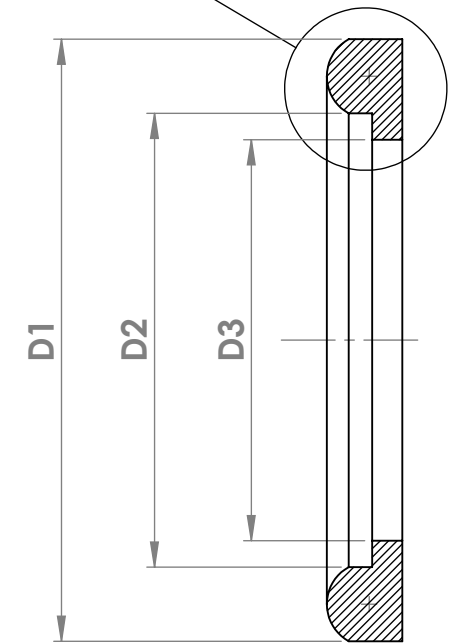
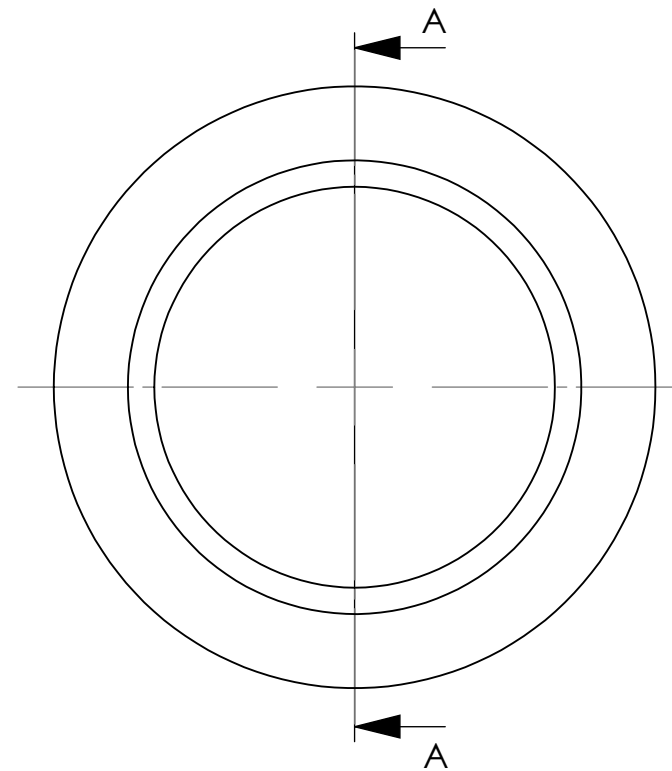
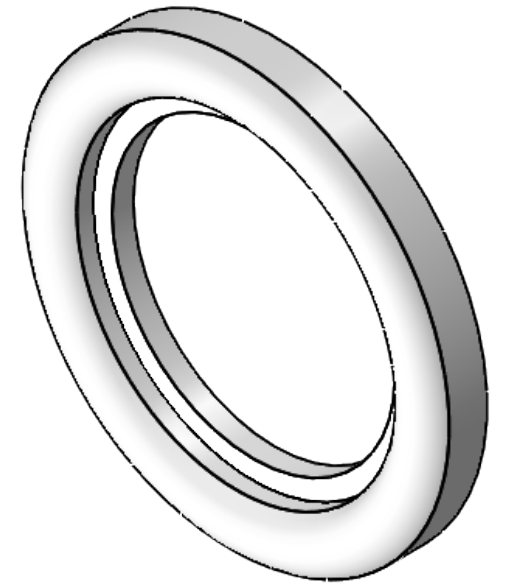


Design Table for: 0907P0001				
DIN 11851	D1	D2	D3	S
DN10	19,8	12	10,5	5
DN15	25,8	18	16,5	5
DN20	32,8	23	20,5	5
DN25	39,8	30	26,5	5
DN32	45,8	36	32,5	6
DN40	51,8	42	38,5	6
DN50	63,8	54	50,5	6
DN65	80,8	71	66,5	6
DN80	94,8	85	81,5	6
DN100	113,8	104	100,5	6
DN125	141,8	130	125	7
DN150	166,8	155	150	7



DETAIL B
SCALE 5 : 1



SECTION A-A

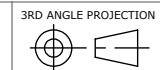
UP Ultrapharma

info@ultrapharma.com 1967 DB Heemskerk T: +31-(0)251-207050
www.ultrapharma.com The Netherlands F: +31-(0)251-207055

CONFIGURATION
see table

DESCRIPTION:
DIN 11851-L PTFE

The information contained in this drawing is the sole property of Ultrapharma BV. Any reproduction in part or as a whole without written permission of Ultrapharma BV is prohibited.



UNITS:
mm

SCALE:
2:1

SHEETSIZE
A3