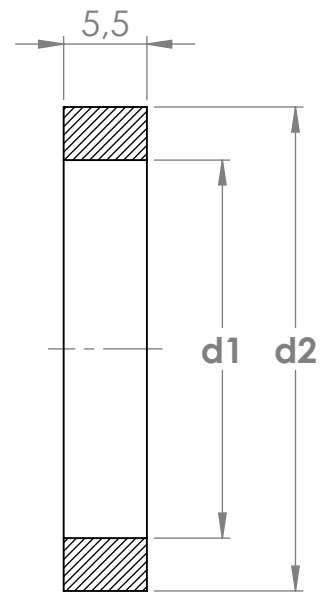
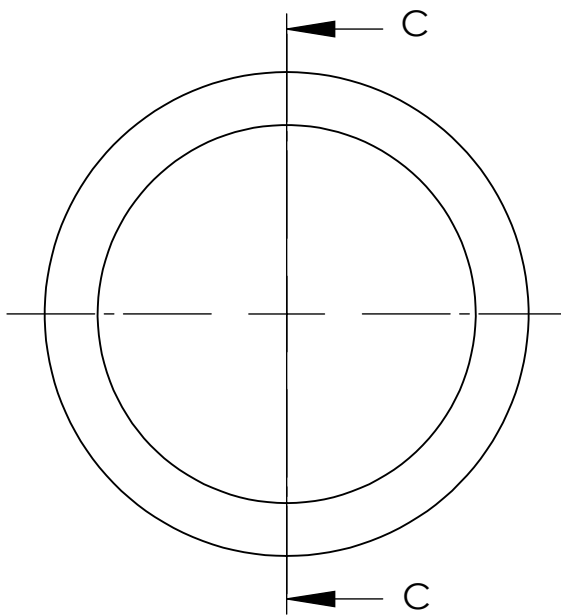


SMS 1149	d1	d2
DN25	25	32
DN32	32	40
DN38	38	48
DN51	51	61
DN63,5	63,5	73,5
DN76	76	86
DN89	89	101
DN100*	101,6	113,5
DN104*	104	116
DN108	108	120



SECTION C-C

UP Ultrapharma

info@ultrapharma.com
www.ultrapharma.com

1967 DB Heemskerk
The Netherlands

T: +31-(0)251-207050
F: +31-(0)251-207055

CONFIGURATION
see table

DESCRIPTION:
SMS 1149-R ELASTOMER

The information contained in this drawing is the sole property of Ultrapharma BV. Any reproduction in part or as a whole without written permission of Ultrapharma BV is prohibited.



UNITS:
mm

SCALE:
2:1

SHEETSIZE
A4