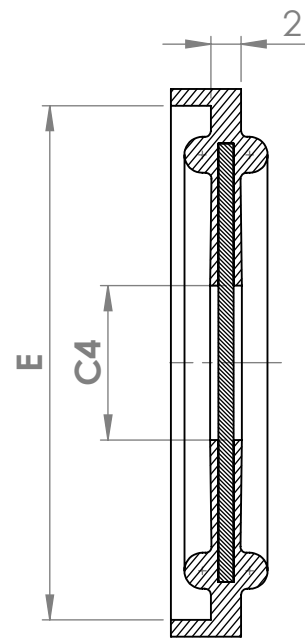
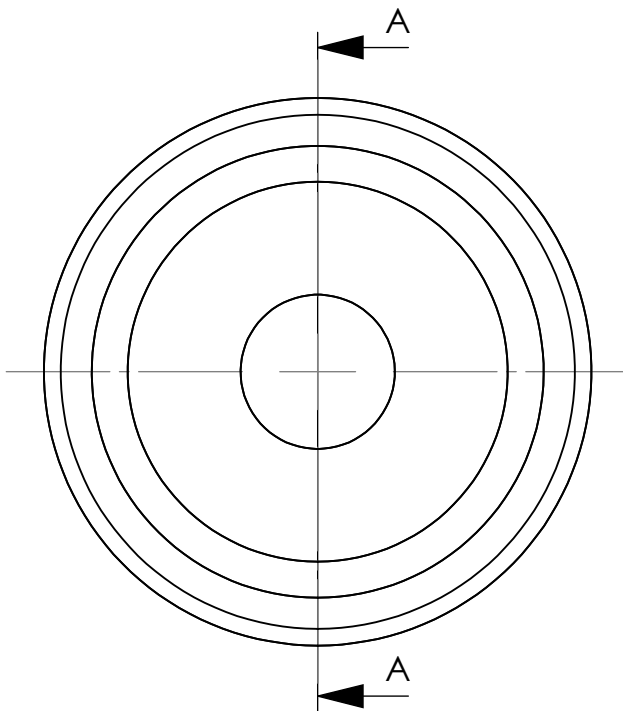
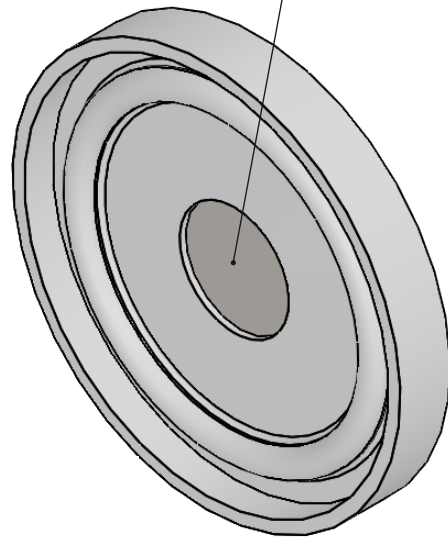


Design Table for: 0301P0003

DIN 32676	E	C4
DN10	34,0	10,2
DN15	34,0	16,2
DN20	34,0	20,2
DN10*	50,5	10,2
DN15*	50,5	16,2
DN20*	50,5	20,2
DN25	50,5	26,2
DN32	50,5	32,2
DN40	50,5	38,2
DN50	64,0	50,2
DN65	91,0	66,2
DN80	106,0	81,2
DN100	119,0	100,2
DN150	183,0	150,2
DN200	233,5	200,2

ORIFICE PLATE 316L SS



SECTION A-A

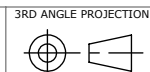
UP Ultrapharma

info@ultrapharma.com 1967 DB Heemskerk T: +31-(0)251-207050
www.ultrapharma.com The Netherlands F: +31-(0)251-207055

CONFIGURATION
see table

DESCRIPTION:
DIN 32676 ELASTO FLANGED ORIFICE PLATE 316L

The information contained in this drawing is the sole property of Ultrapharma BV. Any reproduction in part or as a whole without written permission of Ultrapharma BV is prohibited.



UNITS:
mm

SCALE:
2:1

SHEETSIZE
A4