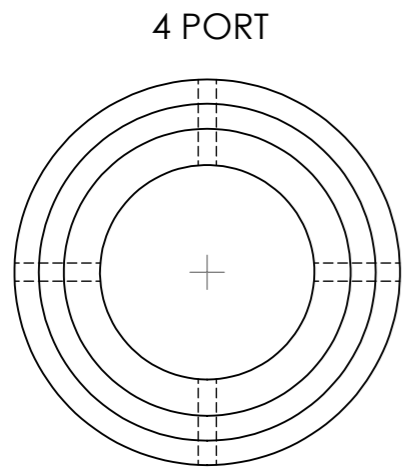
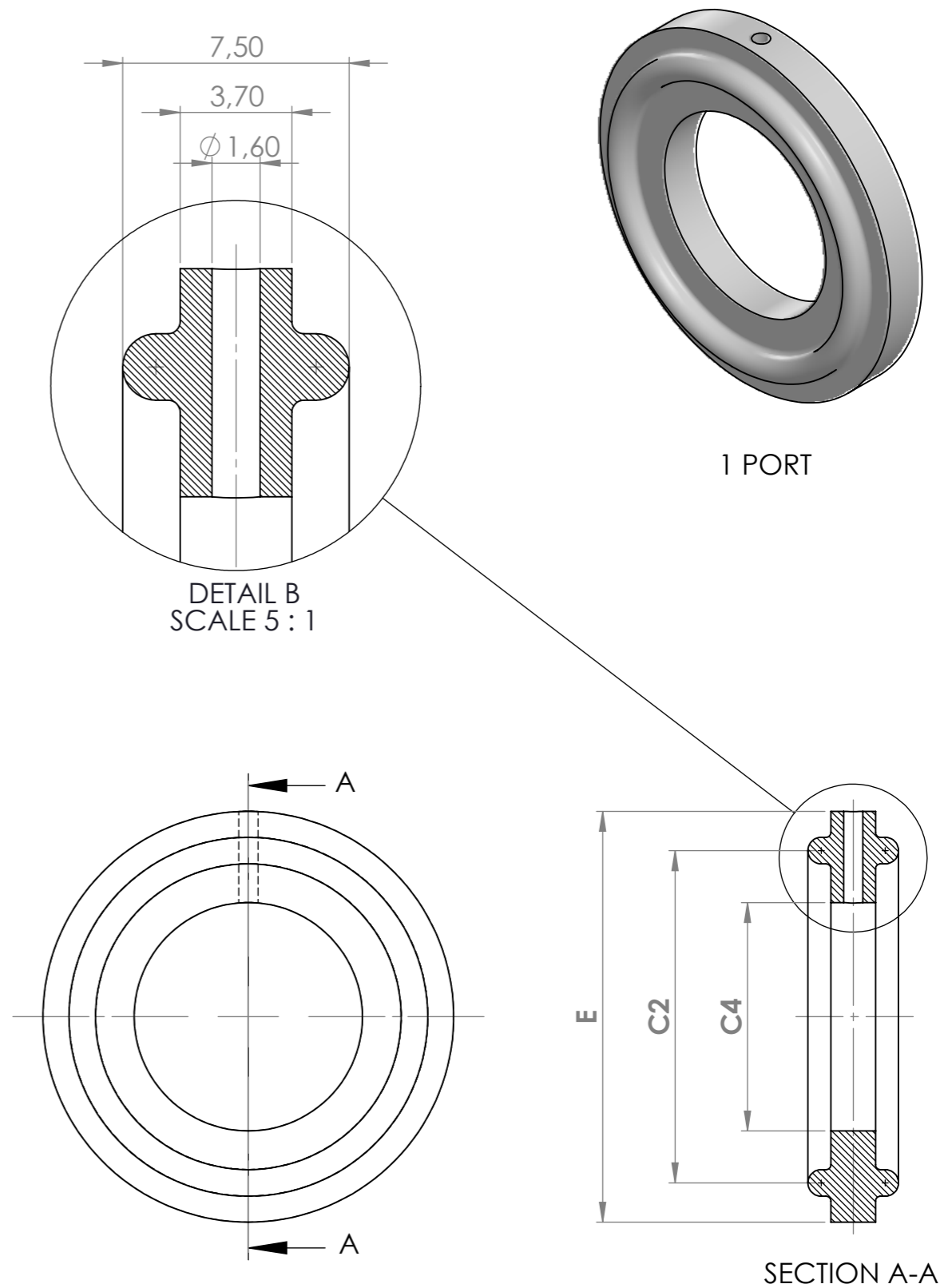
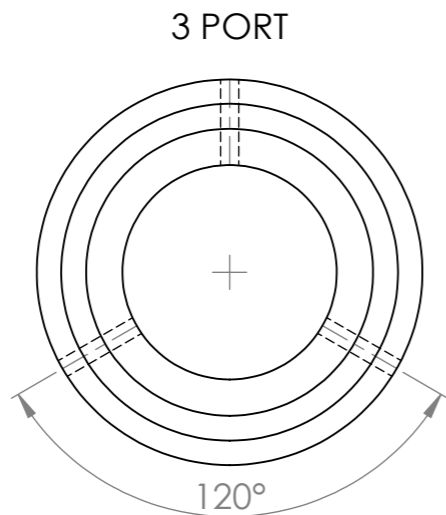


Design Table for: 0400P0001			
SIZE	E	C4	C2
DN10 - DIN	34,0	10,9	27,5
DN08* - ISO	34,0	11,2	27,5
DN10* - ISO	34,0	14,9	27,5
DN15 - DIN	34,0	16,9	27,5
DN15* - ISO	34,0	18,9	27,5
DN20 - DIN	34,0	21,2	27,5
DN15 - ISO	50,5	19,4	43,5
DN20* - DIN	50,5	21,2	43,5
1" - ASME	50,5	23,5	43,5
DN20 - ISO	50,5	24,9	43,5
DN25 - DIN	50,5	27,2	43,5
DN25 - ISO	50,5	31,0	43,5
DN32 - DIN	50,5	33,2	43,5
1,5" - ASME	50,5	36,3	43,5
DN40 - DIN	50,5	39,2	43,5
DN32 - ISO	64,0	39,6	56,5
DN40 - ISO	64,0	45,5	56,5
2" - ASME	64,0	48,8	56,5
DN50 - DIN	64,0	51,2	56,5
DN50 - ISO	77,5	56,5	70,5
2,5" - ASME	77,5	62,0	70,5
DN65 - DIN	91,0	67,2	83,5
DN65 - ISO	91,0	73,3	83,5
3" - ASME	91,0	74,5	83,5
4" - ASME	119,0	99,2	110,0
DN100 - DIN	119,0	101,2	110,0

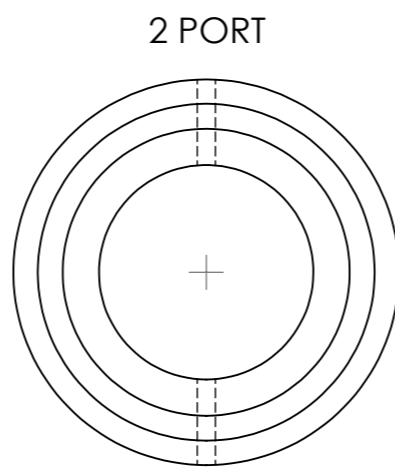


4 PORT



3 PORT

120°



2 PORT

	CONFIGURATION	DESCRIPTION:		UNITS:	SCALE:	SHEETSIZE
	see table	THERMOCOUPLE SMART GASKET ELASTOMER				
<small>info@ultrapharma.com www.ultrapharma.com</small>	<small>1967 DB Heemskerk The Netherlands</small>	<small>T: +31-(0)251-207050 F: +31-(0)251-207055</small>	<small>The information contained in this drawing is the sole property of Ultrapharma BV. Any reproduction in part or as a whole without written permission of Ultrapharma BV is prohibited.</small>	mm	2:1	A3