

Article number: 13LAH-###-U
 Material: ASTM 304SS (EN 1.4301)

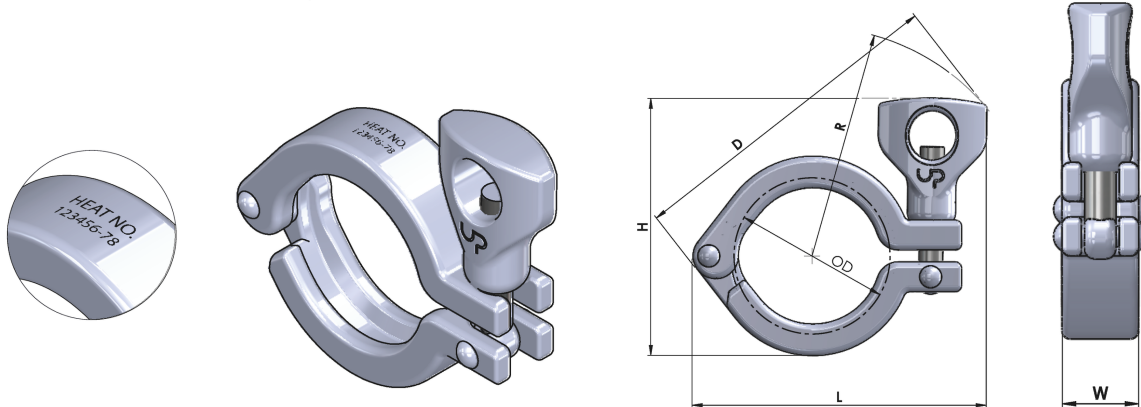


SIZES

Article number	ASME BPE (in inch)	Flange OD (mm)	L (mm)	H (mm)	W (mm)	D (mm)	R (mm)
13LAH-050/075-U	½" - ¾"	25	60	59.5	19	70.3	53
13LAH-034-U	3/4"	34	78	72	18.8	91	68
13LAH-100/150-U	1" - 1½"	50.5	93	83	18.9	107	75
13LAH-200-U	2"	64	111	89.5	18.9	118	80
13LAH-250-U	2½"	77.5	123	97	18.9	131	85
13LAH-300-U	3"	91	141	102	18.8	146	94
13LAH-350-U	3½"	106	157	115	18.8	157	99
13LAH-400-U	4"	119	166	130	18.9	170	109
13LAH-450-U	4½"	130	180	140	17.9	182	115
13LAH-500-U	5"	144	194	153	18.7	191	110
13LAH-550-U	5½"	155	206	164	22.4	203	119
13LAH-600-U	6"	167	226	177	25.3	224	137
13LAH-6625-U	6.625"	183	235	192	22.7	230	136
13LAH-800-U	8"	217.4	278	234	24.3	279	160
13LAH-8625-U	8.625"	233.5	297	250	25.2	288	166
13LAH-1000-U	10"	268	333	281	24.3	320	190
13LAH-1200-U	12"	319	375	338	25.3	371	200

Good to know:

- all clamps carry their heat numbers
- maximum recommended pressure 10 Bar (150PSI)
- 3.1 certificate available upon request



This information is accurate to the best of our knowledge. We advise the users of our products to perform their own testing for chemical compatibility and suitability for particular applications.