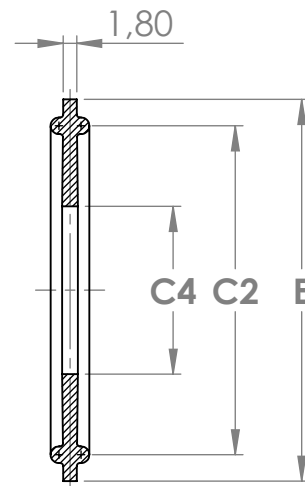
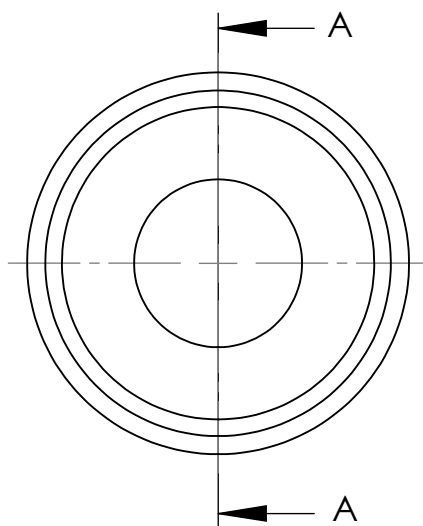
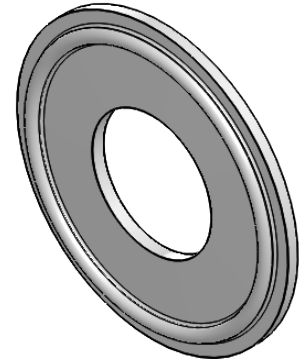


Design Table for: 0605P0002

ASME-BPE	E	C4	C2
1"	50,5	22,2	43,5
1,5"	50,5	35,0	43,5
2"	64,0	47,6	56,5
2,5"	77,5	60,3	70,5
3"	91,0	72,9	83,5
4"	119,0	97,4	110,0
5"	144,0	125,0	134,5
6"	167,0	146,9	156,5
8"	217,4	197,7	207,0
10"	268,5	247,2	257,8
12"	319,3	298,0	308,6



SECTION A-A

UP Ultrapharma

info@ultrapharma.com
www.ultrapharma.com

1967 DB Heemskerk
The Netherlands

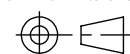
T: +31-(0)251-207050
F: +31-(0)251-207055

CONFIGURATION
see table

DESCRIPTION:
ASME-BPE STEAM-FLON®

The information contained in this drawing is the sole property of Ultrapharma BV. Any reproduction in part or as a whole without written permission of Ultrapharma BV is prohibited.

3RD ANGLE PROJECTION



UNITS:
mm

SCALE:
1:1

SHEETSIZE
A4