

Article number: 13LAH-###-316SS  
 Material: AISI 316SS (EN 1.4401)

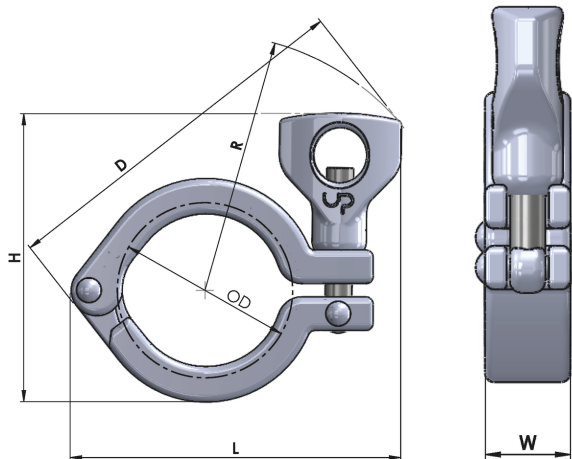
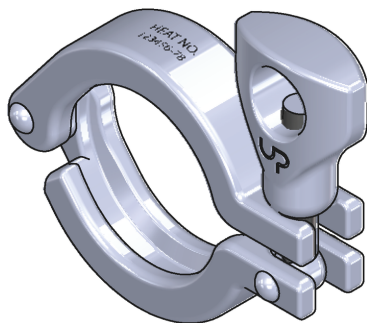


**SIZES**

Article number	ASME BPE (in inch)	Flange OD (mm)	L (mm)	H (mm)	W (mm)	D (mm)	R (mm)
13LAH-050/075-316SS	½" - ¾"	25	60	59.5	19	70.3	53
13LAH-100/150-316SS	1" - 1½"	50.5	93	83	18.9	107	75
13LAH-200-316SS	2"	64	111	89.5	18.9	118	80
13LAH-250-316SS	2½"	77.5	123	97	18.9	131	85
13LAH-300-316SS	3"	91	141	102	18.8	146	94
13LAH-400-316SS	4"	119	166	130	18.9	170	109

Good to know:

- all clamps carry their heat numbers
- you can recognize 316SS on the nuts and shell parts
- maximum recommended pressure 10 Bar (150PSI)
- 3.1 certificate available upon request



This information is accurate to the best of our knowledge. We advise the users of our products to perform their own testing for chemical compatibility and suitability for particular applications.