

Article number: 13MHP-###-U
 Material: ASTM 304SS (EN 1.4301)

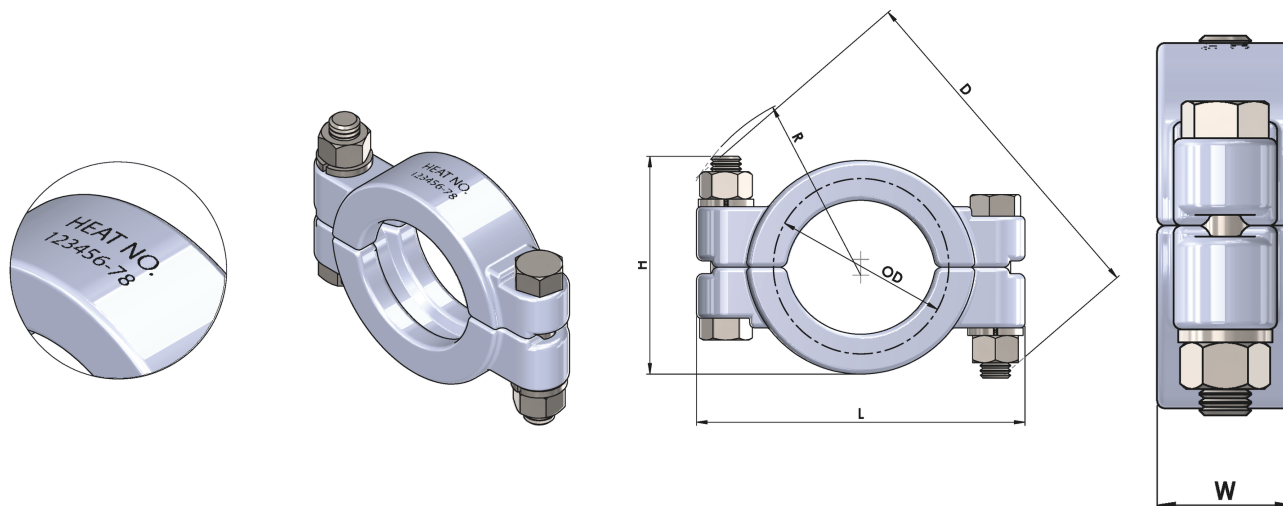


SIZES

Article number	ASME BPE (in inch)	Flange OD (mm)	L (mm)	H (mm)	W (mm)	D (mm)	R (mm)
13MHP-050/075-U	½" - ¾"	25	55	50	19.6	71	32
13MHP-034-U	¾"	34	68	49	19.6	81	39
13MHP-100/150-U	1" - 1½"	50.5	104	74	25	122	62
13MHP-200-U	2"	64	116	91	25	141	71
13MHP-250-U	2½"	77.5	129	92	25	150	75
13MHP-300-U	3"	91	143	115	25	166	84
13MHP-350-U	3½"	106	154	119	24.6	177	88
13MHP-400-U	4"	119	166	134	24.3	186	94
13MHP-450-U	4½"	130	178	145	24.6	194	98
13MHP-600-U	6"	167	221	184	31.5	238	123

Good to know:

- all clamps carry their heat numbers
- maximum recommended pressure 50 Bar (750PSI)
- 3.1 certificate available upon request



This information is accurate to the best of our knowledge. We advise the users of our products to perform their own testing for chemical compatibility and suitability for particular applications.