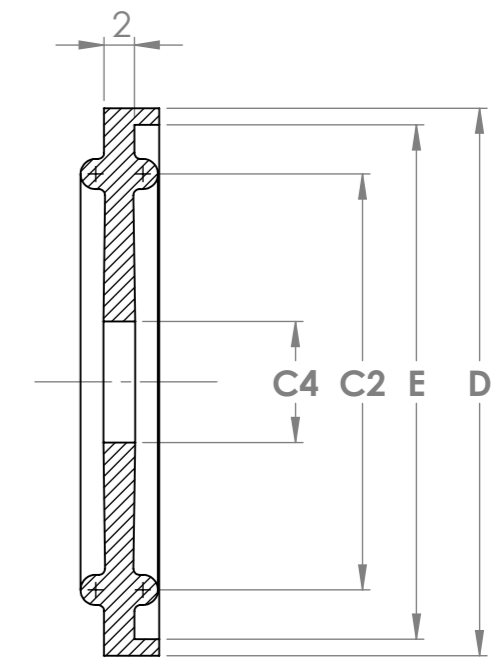
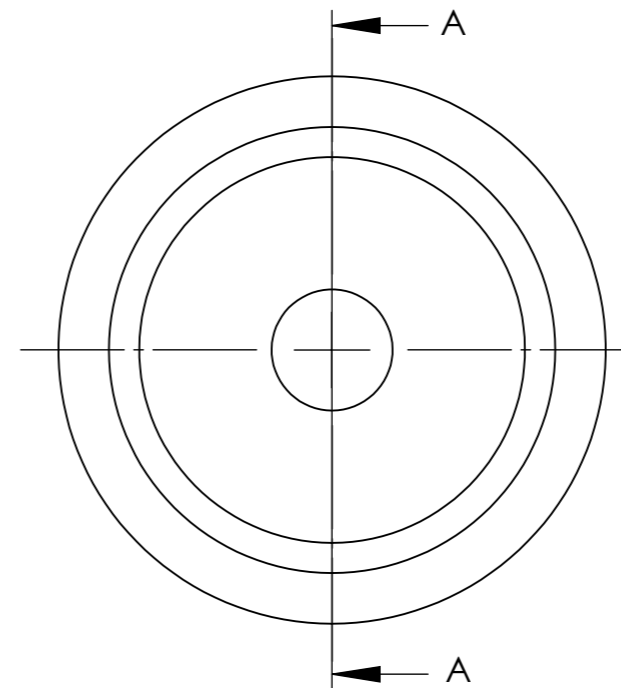
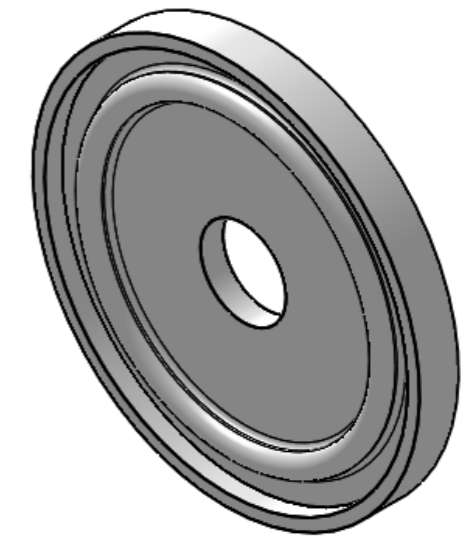
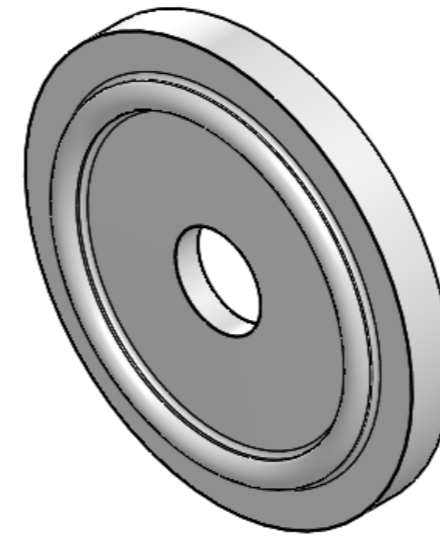


Dimension Table for: 0601P0002				
DIN 32676	E	C4	C2	D
DN8	34,0	8,0	27,5	36,2
DN10	34,0	10,0	27,5	36,2
DN15	34,0	16,0	27,5	36,2
DN20	34,0	20,0	27,5	36,2
DN25	50,5	26,0	43,5	52,7
DN32	50,5	32,0	43,5	52,7
DN40	50,5	38,0	43,5	52,7
DN50	64,0	50,0	56,5	66,2
DN65	91,0	66,0	83,5	93,2
DN80	106,0	81,0	97,0	108,2
DN100	119,0	100,0	110,0	121,2
DN125	155,0	125,0	146,0	157,2
DN150	183,0	150,0	174,0	185,2
DN200	233,5	200,0	225,0	235,7
DN250	268,0	250,0	258,0	270,2
DN300	319,0	300,0	309,0	321,2



SECTION A-A

UP Ultrapharma

info@ultrapharma.com 1967 DB Heemskerk T: +31-(0)251-207050
www.ultrapharma.com The Netherlands F: +31-(0)251-207055

CONFIGURATION see table	DESCRIPTION: DIN 32676 STEAM-FLON® FLANGED	3RD ANGLE PROJECTION 	UNITS: mm	SCALE: 2:1	SHEETSIZE A3
The information contained in this drawing is the sole property of Ultrapharma BV. Any reproduction in part or as a whole without written permission of Ultrapharma BV is prohibited.					