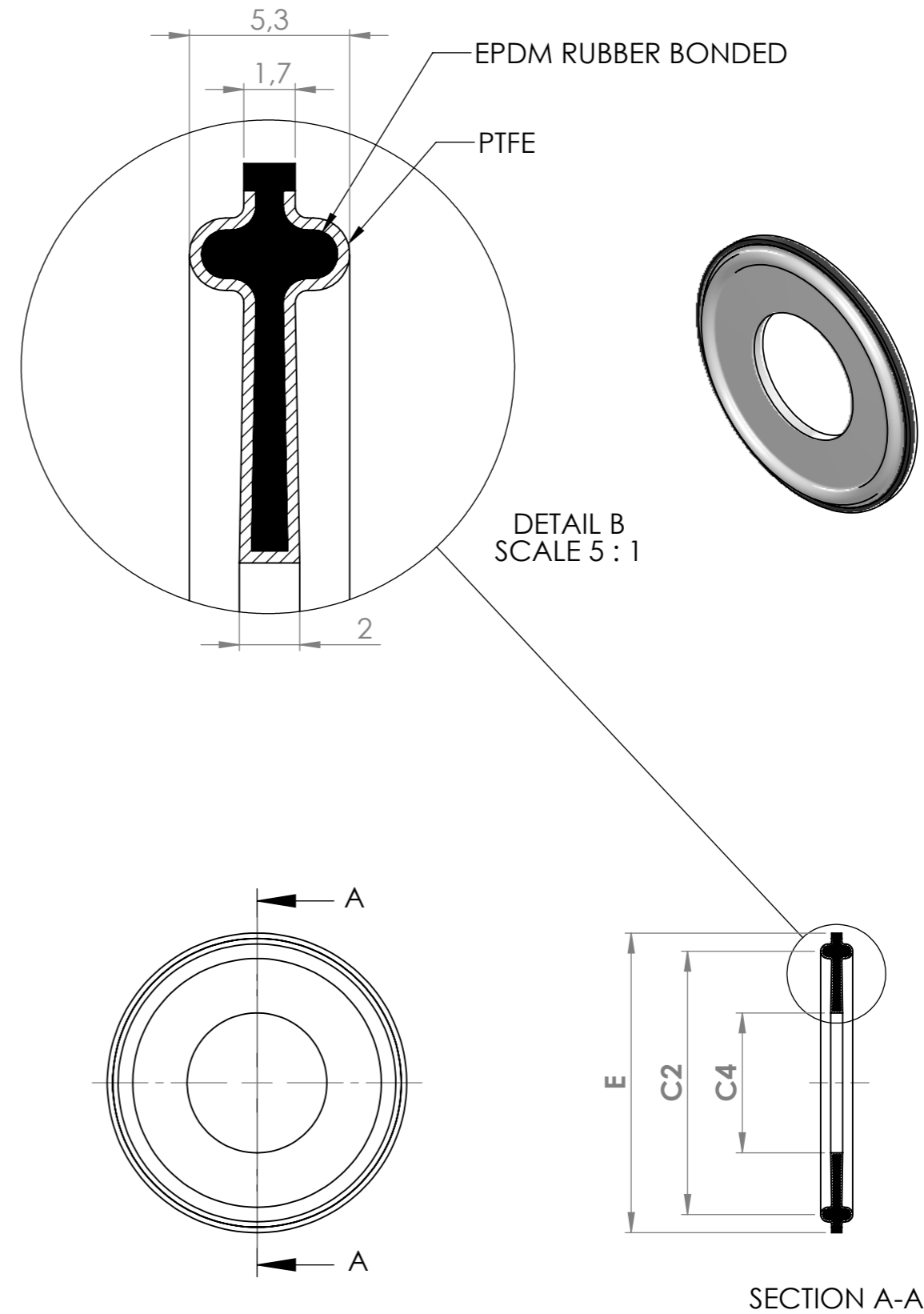


Design Table for: 0505P0012			
ASME-BPE	E	C4	C2
1"	49,5	23,1	43,5
1,5"	49,5	35,8	43,5
2"	63,0	48,0	56,5
2,5"	76,5	59,7	70,5
3"	90,0	72,3	83,5
4"	118,0	97,8	110,0
6"	165,3	147,8	156,4
8"	217,4	198,6	207,0
10"	268,5	248,2	257,8
12"	319,3	299,0	308,6



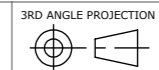
UP Ultrapharma

info@ultrapharma.com 1967 DB Heemskerk T: +31-(0)251-207050
www.ultrapharma.com The Netherlands F: +31-(0)251-207055

CONFIGURATION
see table

DESCRIPTION:
ASME-BPE PTFE EPDM TRI-BOND® CMD-1061

The information contained in this drawing is the sole property of Ultrapharma BV. Any reproduction in part or as a whole without written permission of Ultrapharma BV is prohibited.



UNITS:
mm

SCALE:
1:1

SHEETSIZE
A3