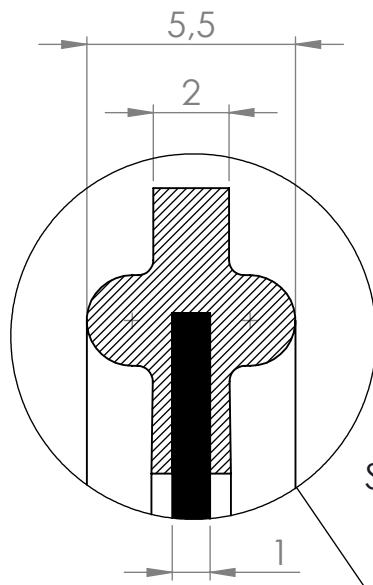
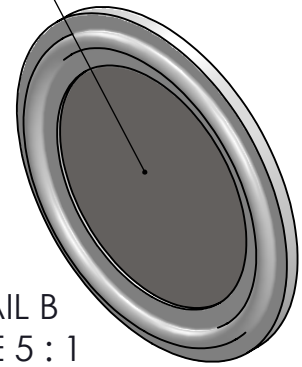


Design Table for: 0305P0002

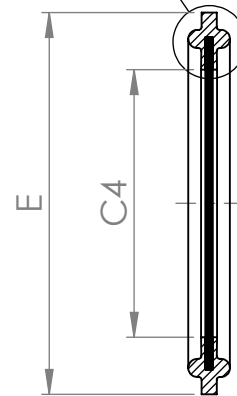
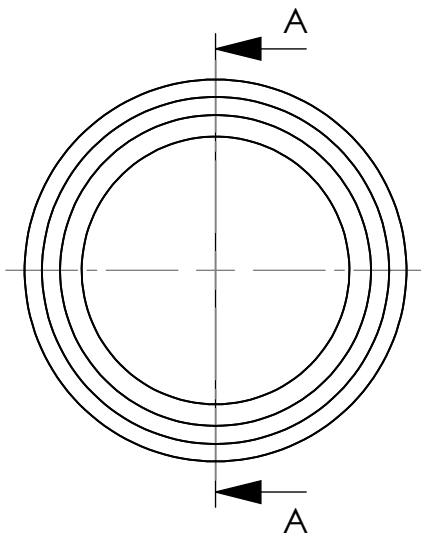
ASME-BPE	E	C4
1"	50,5	22,6
1,5"	50,5	35,4
2"	64,0	47,9
2,5"	77,5	61,0
3"	91,0	73,5
4"	119,0	98,2



ORIFICE PLATE 316L SS



DETAIL B
SCALE 5 : 1



SECTION A-A

UP Ultrapharma

info@ultrapharma.com
www.ultrapharma.com

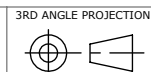
1967 DB Heemskerk
The Netherlands

T: +31-(0)251-207050
F: +31-(0)251-207055

CONFIGURATION
1 1/2"

DESCRIPTION:
ASME-BPE ELASTO ORIFICE PLATE 316L

The information contained in this drawing is the sole property of Ultrapharma BV. Any reproduction in part or as a whole without written permission of Ultrapharma BV is prohibited.



UNITS:
mm

SCALE:
1:1

SHEETSIZE
A4